

CCS Technical Documentation

NSM-9DX Series Transceivers

Accessories

Table of Contents

	Page No
BLB-2 Standard Battery.....	4
Product Code	4
ACP-7 Standard Charger	5
Product Codes	5
Specification	5
ACP-8 Travel Charger	6
Product Codes	6
Specification	6
ACP-12 Travel Charger	7
Product Code	7
DCD-1 Desktop Stand	8
Product Code	8
Specification	8
DDC-1 Battery Charging Stand	9
Product Code	9
Specifications	9
LCH-9 Rapid Cigarette Lighter Charger	10
Product Code	10
Specification	10
PPH-1 Plug-in HF Car Kit	11
Product Code	11
Specification	11
MBD-10 Mobile Holder.....	12
Product Code	12
MKU-1 Mounting Plate	13
Product Code	13
HHS-9 Swivel Mount.....	14
Product Code	14
HFM-8 Handsfree Microphone.....	15
Product Code	15
HDC-5 Headset.....	16
Product Code	16
HDE-2	17
Product Code	17
HDA-9.....	18
Product Code	18
HDB-5 Boom Headset	19
Product Code	19
HDD-1 Dual Headset.....	20
Product Code	20
LPS-3 Loopset.....	21
Product Code	21
Recommended Batteries	22
CARK-130 Car Kit	23
xxxxx	23
Product Code	23
CARK-132 Car Kit	24

Product Code24

List of Figures

Fig 1 View of the BLB-2 Standard Battery4
 Fig 2 View of the ACP-7 Standard Charger5
 Fig 3 View of the ACP-8 Travel Charger6
 Fig 4 View of the DCD-1 Desktop Stand8
 Fig 5 View of the DDC-1 Battery Charging Stand9
 Fig 6 View of the LCH-9 Mobile Charger10
 Fig 7 View of PPH-1 Plug-in HF Car Kit11
 Fig 8 View of the MBD-10 Mobile Holder12
 Fig 9 View of the MKU-1 Mounting Plate13
 Fig 10 View of the HHS-9 Swivel Mount14
 Fig 11 View of the HFM-8 Handsfree Microphone15
 Fig 12 View of the HDC-5 Headset16
 Fig 13 View of the HDE-217
 Fig 14 View of the HDA-918
 Fig 15 View of the HDB-5 Boom Headet19
 Fig 16 View of the HDD-1 Dual Headset20
 Fig 17 View of the LPS-3 Loopset21
 Fig 18 View of the CARK-130 Car Kit23
 Fig 19 View of the CARK-132 Car Kit24

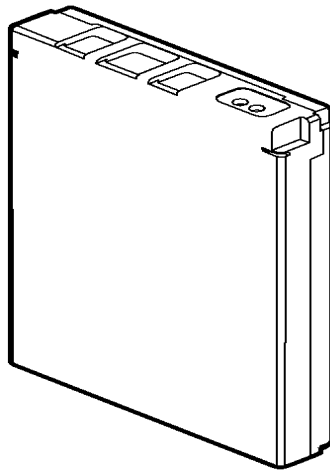
BLB-2 Standard Battery

The BLB-2 is a Li-ion type battery in a white plastic package.

Product Code

Battery pack BLB-2: *0670322*

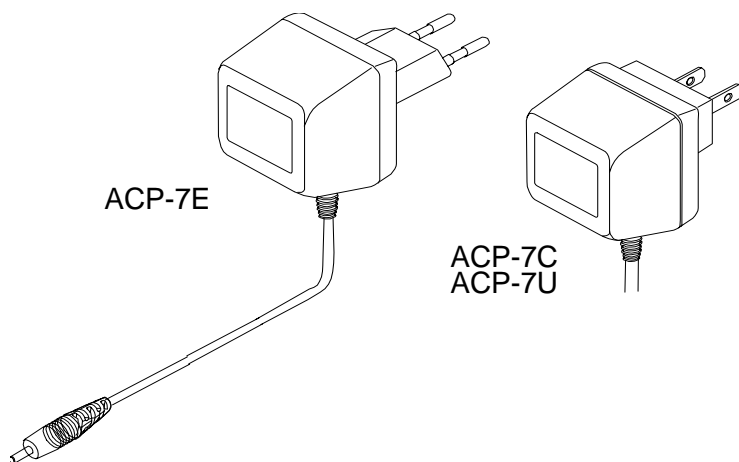
Figure 1: View of the BLB-2 Standard Battery



ACP-7 Standard Charger

The standard charger is available for different voltage levels and comes with different wall plugs. The standard charger can also be used as a power supply for the desktop stand.

Figure 2: View of the ACP-7 Standard Charger



S

Product Codes

Standard Charger (Europlug) 207-253 Vac	ACP-7E 0675144
Standard Charger (USplug) 108-132 Vac	ACP-7U 0675143
Standard Charger (USplug) 198-242 Vac	ACP-7C 0675158

Specification

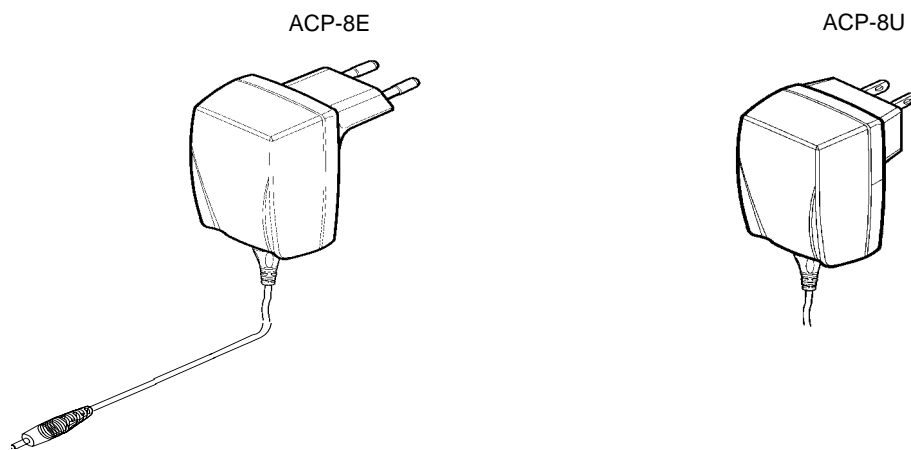
Output connectors:	3.5 mm DC plug, 2-pole
Protection:	PTC protection
Output Voltage /Current (typ)	7.6 V / 370 mA

ACP-8 Travel Charger

Operating within the voltage range 90 V...264 V AC (50 Hz...60 Hz), the Performance Travel Charger is practically current independent in normal office and household use. Like the standard charger, it is available for different wall sockets.

The Travel Charger can also be used with the desktop stand.

Figure 3: View of the ACP-8 Travel Charger



Product Codes

ACP-8E	Travel Charger Euro plug 90-264 Vac	0675195
ACP-8U	Travel Charger US plug 90-264 Vac	0675196

Specification

Output connectors: *3.5 mm DC plug, 2-pole (+, -, control)*

Protection: *Output fault voltage 16 V max.*

Output voltage/current (typ): *6.0 V (+0.3 V)/ 620 mA*

ACP-12 Travel Charger

The ACP-12 travel chargers are small and light weight, high performance chargers. They are multivoltage (90 –264V) chargers, which also fulfill the long run EU Code of conduct requirement on efficiency with low standby power consumption (< 300mW). The chargers have a fixed cable with Velcro cable management.

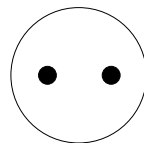
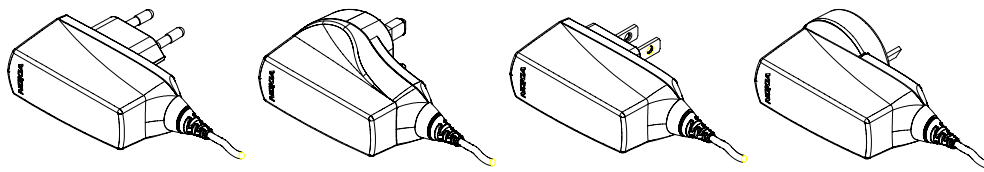
Product Code

ACP-12 Travel Chargers:

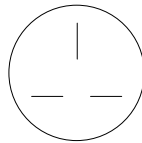
ACP-12E Europe: *0675294*

ACP-12U USA: *0675303*

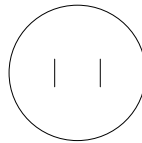
ACP-12



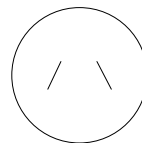
APC-12E/K



ACP-12X



ACP-12U/UB/G/C

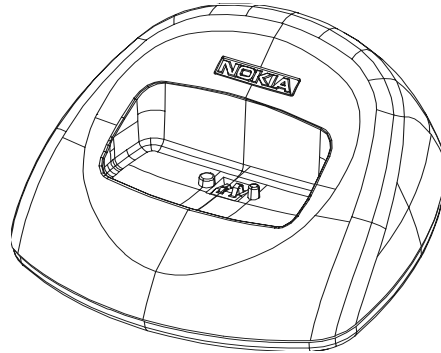


ACP-12A/AR

DCD-1 Desktop Stand

The desktop stand provides a convenient way to charge the phone in the upright position on a table.

Figure 4: View of the DCD-1 Desktop Stand



Product Code

DCD-1 Desktop stand: *0675253*

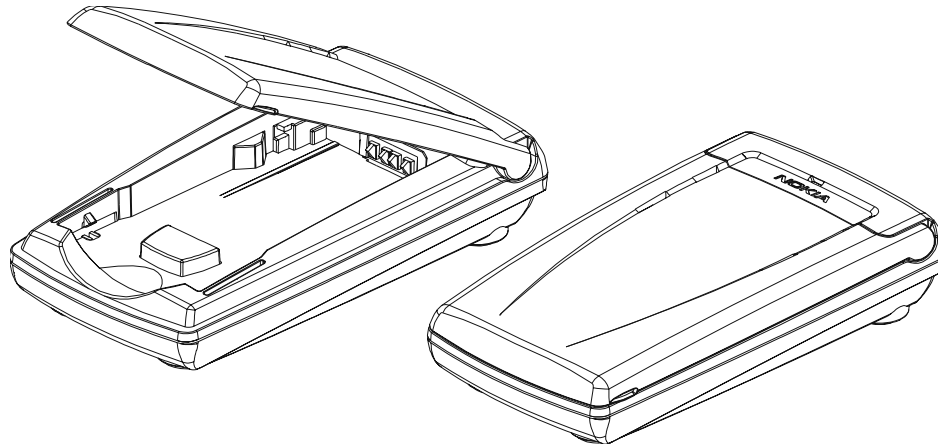
Specification

Connections: *3.5 mm DC jack (ACP-7 or ACP-8)*

DDC-1 Battery Charging Stand

The DDC-1 Battery Charging Stand provides users the possibility of charging a spare battery .

Figure 5: View of the DDC-1 Battery Charging Stand



Product Code

DDC-1 Battery Charging Stand: *0675261*

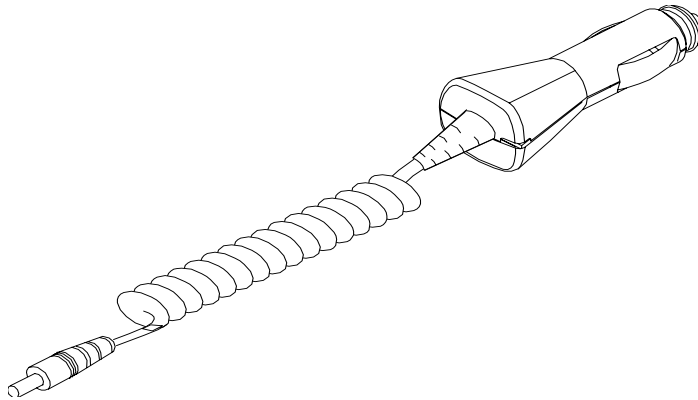
Specifications

Connections: 3.5 mm DC jack (ACP-7 or ACP-8)

LCH-9 Rapid Cigarette Lighter Charger

A green light indicates that the rapid cigarette lighter charger is ready for charging. Check the charging status on the phone display. The input voltage can be from 11 or 32 V DC, negative grounding.

Figure 6: View of the LCH-9 Mobile Charger



Product Code

LCH-9 Rapid Cigarette Lighter Charger: *0675120*

Specification

Connectors

- input: *D 21/23 mm*
- output: *3.5 mm DC plug*

Protection: *input fused, output current limit 850 mA*

Voltage

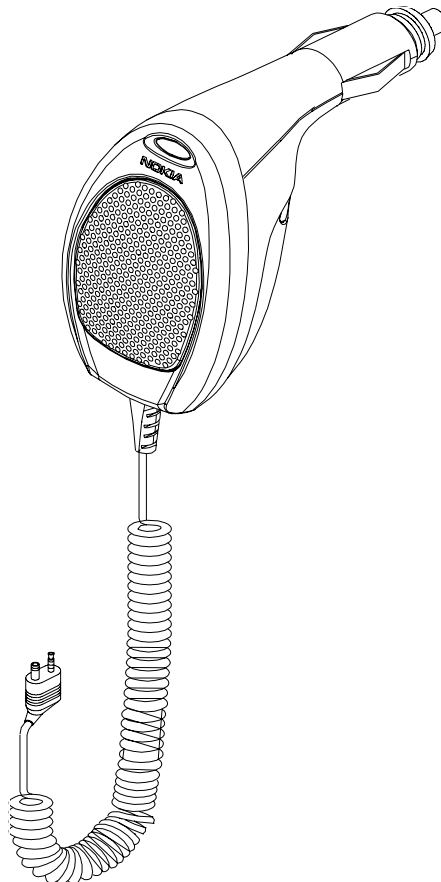
- input: *11...32 V*
- output (nominal): *8.4 V*

Nominal output current: *800 mA*

PPH-1 Plug-in HF Car Kit

The PPH-1 provides rapid charging for the phone and possibility for HF operation. The PPH-1 plug and play handsfree unit is connected directly to the cigarette lighter in a car. PPH-1 is connected to the mobile phone with the cable. The cable has combined connector with charger- and headset connectors.

Figure 7: View of PPH-1 Plug-in HF Car Kit



Product Code

Headset PPH-1: *0675182*

Brazil market version: *0675246*

Specification

Output connectors: 3.5 mm DC plug, 2-pole (+, -, control)

Input voltage: 8-16VDC

Protection: Output fault voltage 16 V max.

Output current: 750 mA max.

MBD-10 Mobile Holder

The MBD-10 Mobile Holder is used in vehicle to hold the phone. Attaching can be done using a swivel or mounting plate.

Figure 8: View of the MBD-10 Mobile Holder



Product Code

Mobile Holder MBD-10: *0630409*

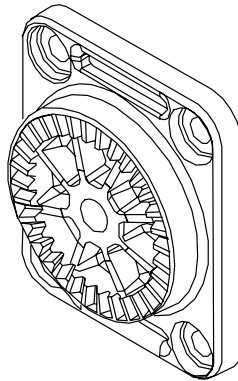
MKU-1 Mounting Plate

The MKU-1 mounting plate provides a method of fixing the MBD-10 Mobile Holder to the vehicle interior.

Product Code

MKU-1 Mounting plate: *0620036*

Figure 9: View of the MKU-1 Mounting Plate



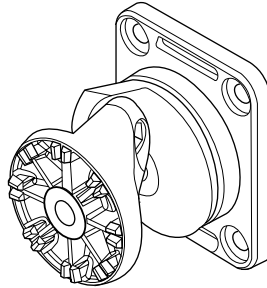
HHS-9 Swivel Mount

The HHS-9 swivel mounting plate provides an alternative (to MKU-1) method of fixing the MBD-10 Mobile Holder.

Product Code

Swivel mounting plate HHS-9: *0620037*

Figure 10: View of the HHS-9 Swivel Mount



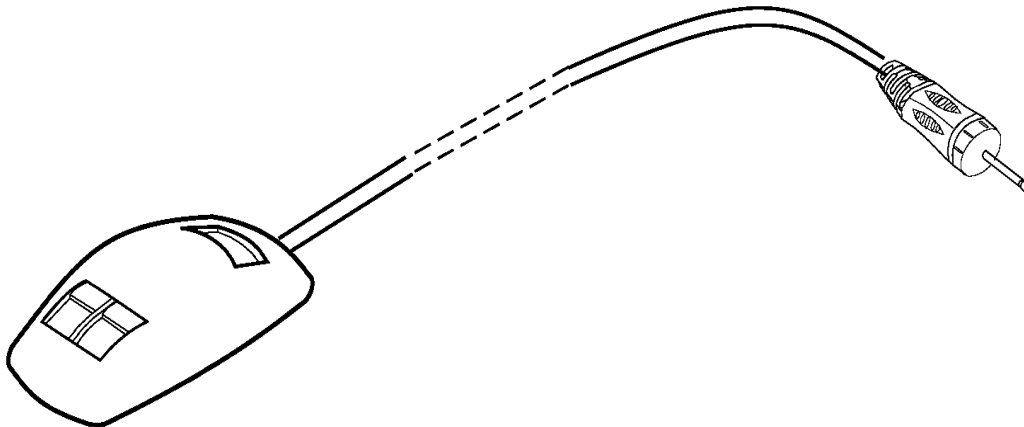
HFM-8 Handsfree Microphone

The HFM-8 microphone can be used together with PPH-1 Plug-in Car Kit.

Product Code

HFM-8 Handsfree Microphone: *0690016*

Figure 11: View of the HFM-8 Handsfree Microphone



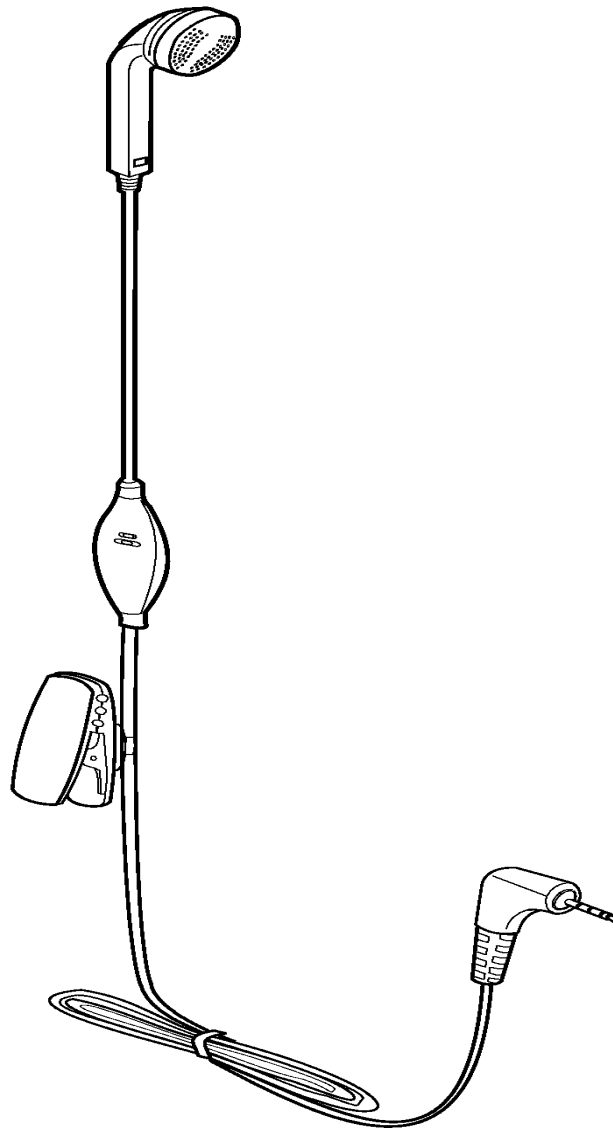
HDC-5 Headset

The HDC-5 headset also provides a hook switch for the answer/end call button.

Product Code

Headset HDC-5: *0694059*

Figure 12: View of the HDC-5 Headset

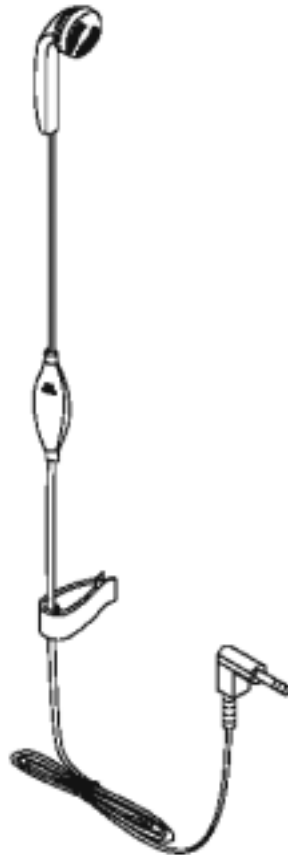


HDE-2

Product Code

HDE-2: *0694075*

Figure 13: View of the HDE-2



HDA-9

Product Code

HDA-9: *0694116*

No picture of HDA-9 available.

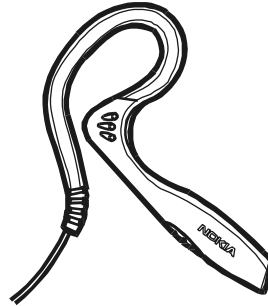
HDB-5 Boom Headset

The HDB-5 boom headset has basic the handsfree functionality with an answer/end button. It is a trendy and modern "over the ear" -concept, is small and lightweight and has excellent audio quality.

Product Code

Headset HDB-5: *0694107*

Figure 14: View of the HDB-5 Boom Headset



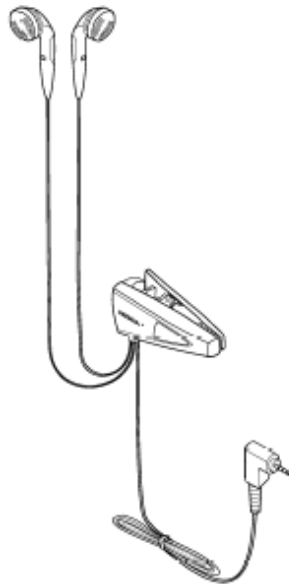
HDD-1 Dual Headset

The HDD-1 dual headset has a clip to hold it conveniently in place, and a remote control with a microphone and an answer/end button. Voice dialling is also possible with the Dual Headset

Product Code

Headset HDD-1: *0694066*

Figure 15: View of the HDD-1 Dual Headset

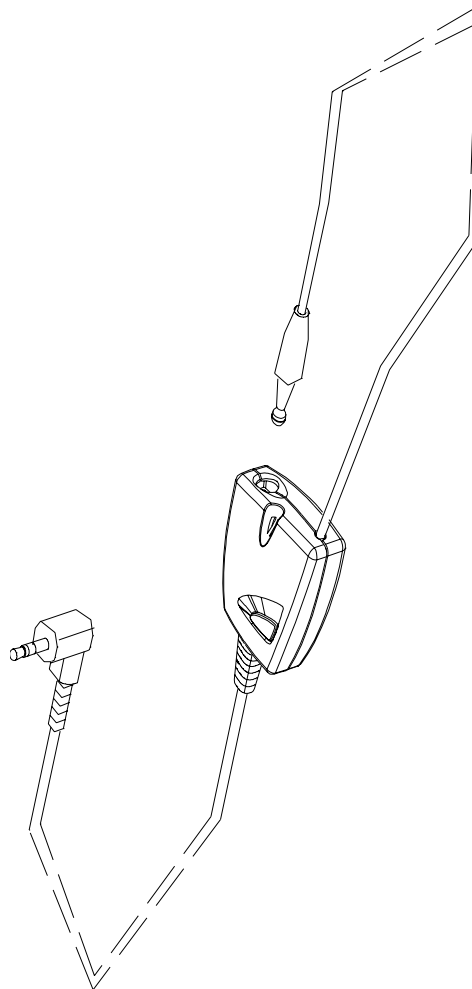


LPS-3 Loopset

The LPS-3 Loopset has been developed for hearing aid users to allow them to use mobile phones. It is based on induction technology.

All hearing aids have support for induction loop, that is, they have a little tele-coil inside. This coil can capture the signal supplied to the loop. Standard hearing aids have two operation modes: (1) the M-mode for normal microphone use and (2) the T-mode for tele-coil.

Figure 16: View of the LPS-3 Loopset



Product Code

Loopset LPS-3: 0630244

Recommended Batteries

Table 1: Recommended Batteries

Type	Size / IEC-type	Rated capacity	Talk time (3mA load)	Standby (20uA load)
Zinc Air Hearing Aid Battery	675 / PR44	540 mAh	180 hours	840 hours or 35 days (1)
Silver Oxide Hearing Aid Battery	675 / SR44	150 mAh	50 hours	7 500 hours or 310 days
Alkaline Battery	675 / LR44	110 mAh	36 hours	5 500 hours or 230 days

Note: The capacity of the zinc air battery will fall 20% in a month. After the activation, the zinc air battery begins to self-discharge. The battery will be empty within 5 weeks.

CARK-130 Car Kit

Product Code

Car Kit CARK-130: *0080539*

No picture of CARK-130 Car Kit available. See figures of MBD-10, HHS-9, PPH-1 and HFM-8 in this section of the NSM-9DX Service Manual to see the components of CARK-130 Car Kit.

CARK-132 Car Kit

Product Code

CarKit CARK-132: 0085198

Figure 17: View of the CARK-132 Car Kit

